



# LIGHTING CONTROLS

## SENSOR SWITCH PIR AND PDT WIDE VIEW OCCUPANCY SENSORS WV SERIES

### DESCRIPTION

The **Sensor Switch WV Series wide view occupancy sensor** is designed to mount in a corner and detect small motions up to 40 ft (12.19 m) away, and larger motions up to 70 ft (21.34 m) away. This makes it ideal for 30 ft x 30 ft (9.14 m x 9.14 m) classrooms or corridors up to 70 ft (21.34 m) long. For rooms with obstructions, use the **WV-PDT-16 Series** sensor which adds Microphonics™ detection.



An Acuity Brands Company



WV16

(SHOWN WITH WV-BR-SS MOUNTING BRACKET)

### FEATURES

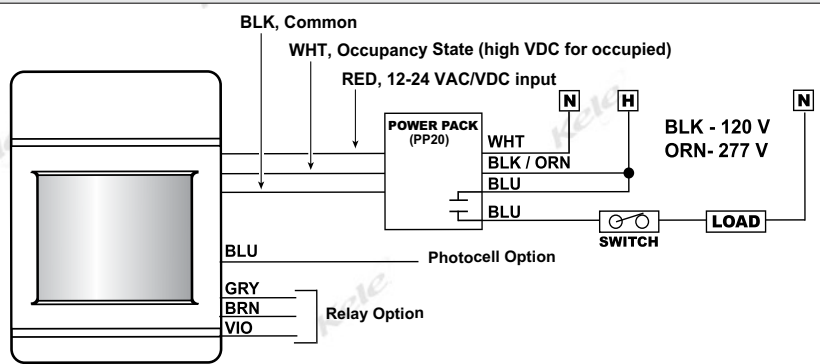
- PIR and optional microphonics detection
- Push-button programmable
- Adjustable time delays
- Green LED indicator



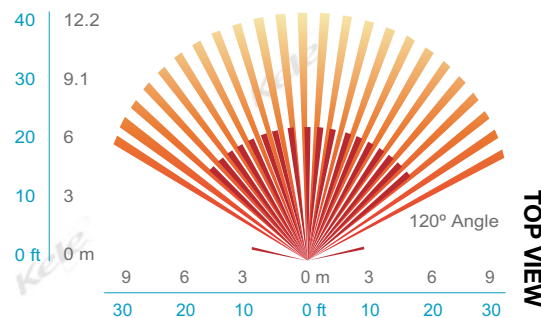
### SPECIFICATIONS

<b>Supply Voltage</b>	12-24 VAC @ 0.1 VA, 24 VDC, @ 4mA (16mA w/ relay option)	<b>OFF Delay Time (TD)</b>	5 settings from 0 to 20 minutes
<b>Relay Output</b>	<b>WV</b> Motion initiated (Int.) 24VDC output @200mA <b>WV-x-R</b> Motion Int. contact, SPDT 40V (AC/DC) @1A <b>W/ PP20</b> 120/277 VAC @20A switching (15VDC out for sensor)	<b>Indication</b>	Green LED for set-up
<b>Technology</b>	Single or dual technology sensors (per order)	<b>Mounting</b>	Direct Wall/Corner, (Ceiling w/WV-BR bracket) Box Mount (Octagonal or single gang)
<b>WV-16</b>	Infra-Red (IR) w/ Fresnel lens	<b>Color</b>	White
<b>WV-PDT</b>	Infra-Red (IR) w/ Fresnel lens and Sonic Microphone	<b>Operating Temperature</b>	14° to 160°F (-10° to 71°C)
<b>Occupied Mode (Occ)</b>	Occ.-Auto ON w/Either technologies w/TD OFF	<b>Operating Humidity</b>	20 to 90% non-condensing
<b>Special Features</b>	Relay contact, and Photocell versions available	<b>Wiring</b>	3 or 7 wire Pig tails (see wiring)
<b>Approximate Coverage Pattern</b>	Corner @9' /40-70' Semi circle (120° wedge)	<b>Enclosure Rating</b>	NEMA 1
<b>Sensitivity</b>	None required	<b>Dimensions</b>	3.6"W x 3.0"H x 1.75"D (9.14 x 7.62 x 4.45 cm)
<b>Override</b>	None	<b>Weight</b>	0.32 lb (0.15 Kg)
		<b>Approvals</b>	UL File #E167435, RoHs
		<b>Warranty</b>	5 year limited

### WIRING/COVERAGE PATTERN



WV16 Coverage Pattern @ 9' high



### ORDERING INFORMATION

MODEL	DESCRIPTION
WV-16	Wide View PIR Sensor-Corner Mount, Low Voltage
WV-16-KIT	Wide View PIR Sensor-Corner Mount, Low Voltage, with WV-BR ceiling Bracket
WV-16-R	Wide View PIR Sensor-Corner Mount, Low Voltage, with SPDT Relay Contact
WV-PDT-16	Wide View PIR & Microphonics Sensor-Corner Mount, Low Voltage

**NOTE:** Call Kele for models with low voltage relay, photocell, dimming, and low temperature options availability.

### ACCESSORIES

PP20	Power/Relay Pack, 120/277 VAC to 15VDC, with 20A, SPST Relay
WV-BR-SS	Ceiling Mount Bracket